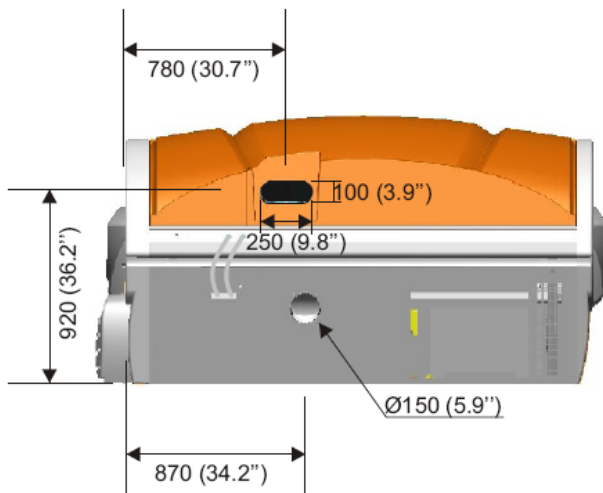
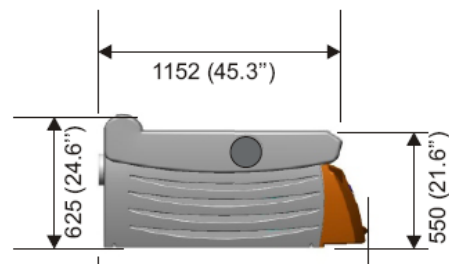
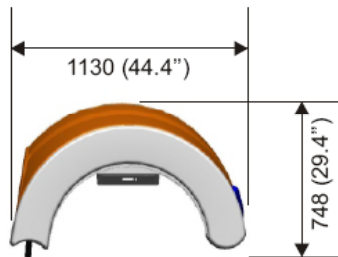
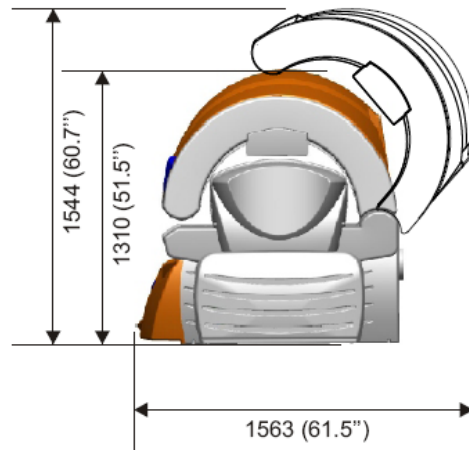
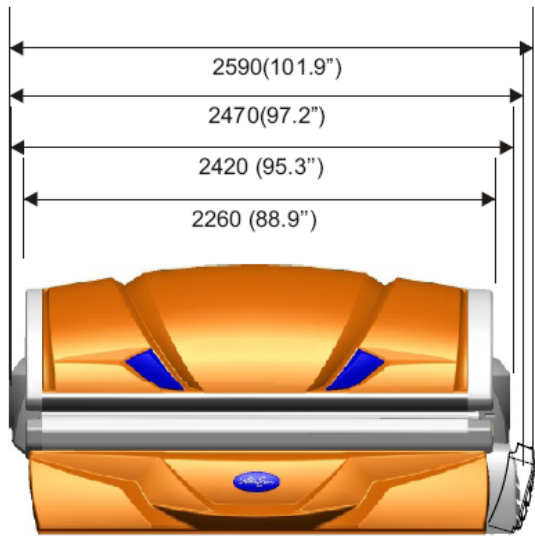


Q15

DIMENSIONS



Hose < 1x Ø200mm and 1x Ø150mm
(1x Ø7.8" and 1x Ø5.9")

All dimensions in mm.
Between brackets in inches.

UltraSun[®]
pioneers in responsible tanning since 1974

helionova
COMMERCIAL SUNBEDS

Ultrason U.K. – Helionova Limited

Hyperion House, 19 Frensham Road, Sweet Briar Industrial, Estate, Norwich, NR3 2BT
T: 01603 789 010 F: 01603 789 453 E: sales@helionova.co.uk