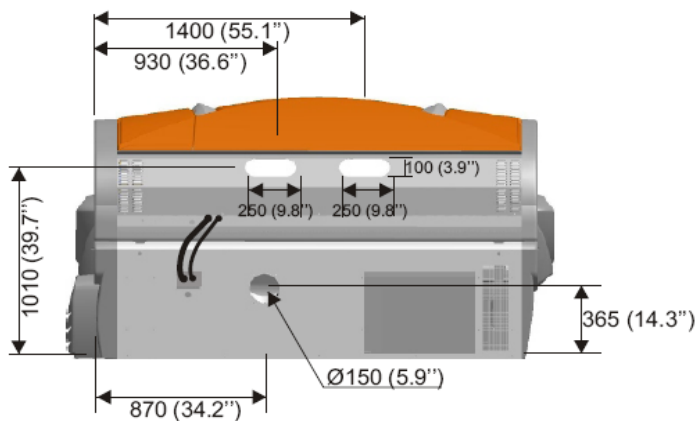
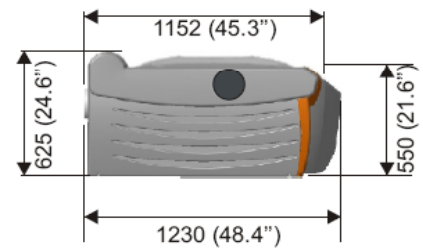
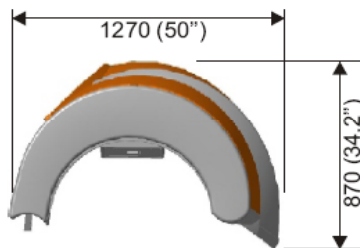
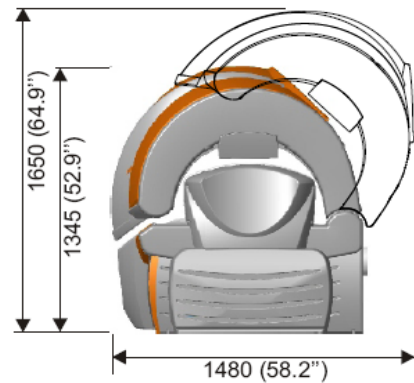
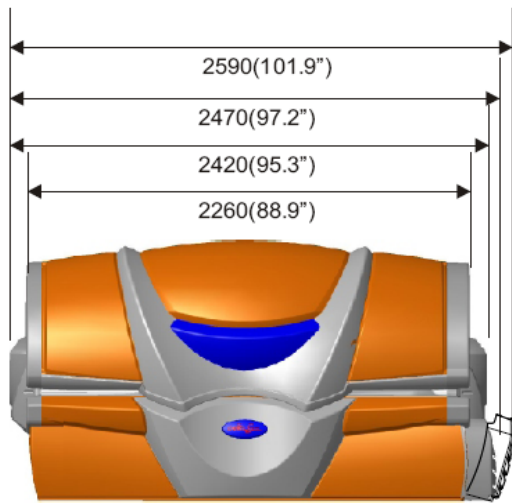


Q25

DIMENSIONS



Hose — 2x Ø200mm and 1x Ø150mm
 — 2x Ø7.8" and 1x Ø5.9"

All dimensions in mm.
 Between brackets in inches.



Ultrason U.K. – Helionova Limited

Hyperion House, 19 Frensham Road, Sweet Briar Industrial, Estate, Norwich, NR3 2BT
 T: 01603 789 010 F: 01603 789 453 E: sales@helionova.co.uk