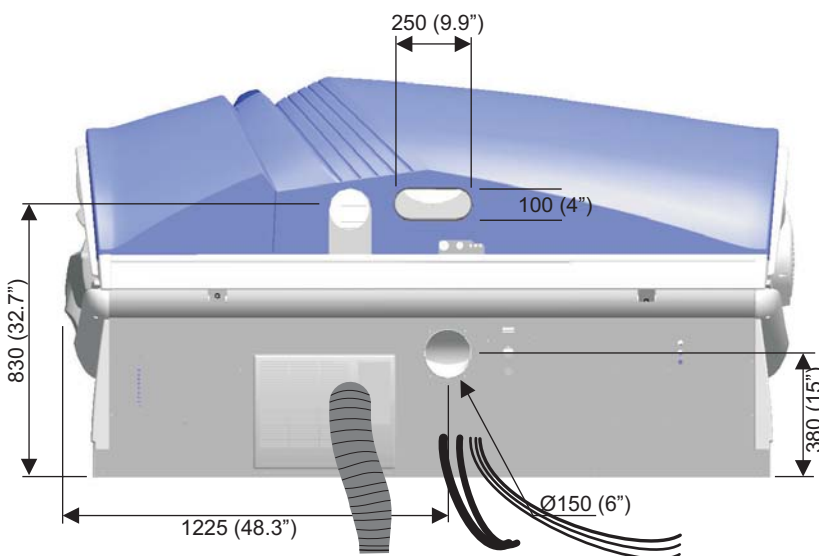
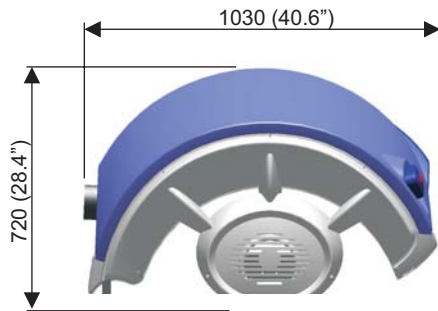
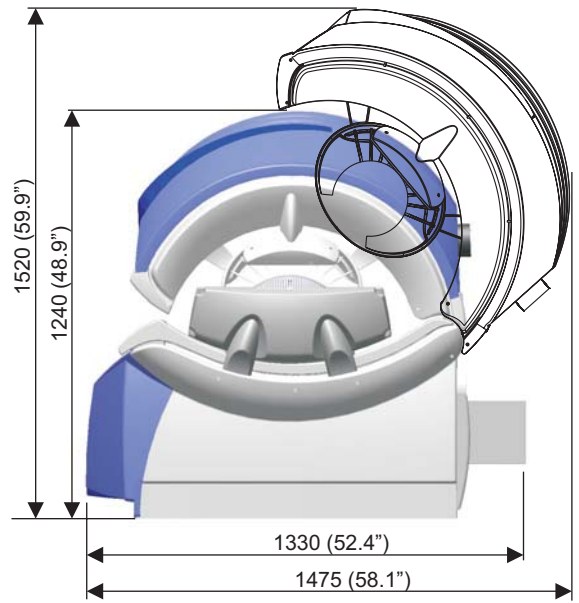
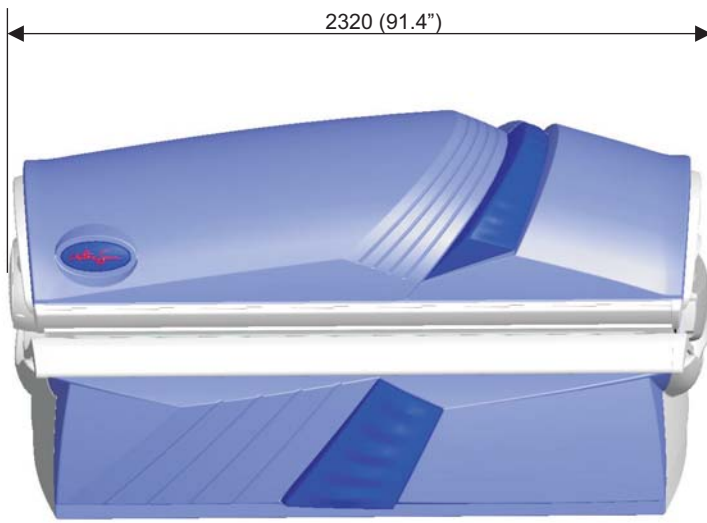


# Q12

## Dimensions - Grundabmessungen - Afmetingen - Dimensions



**UltraSun**<sup>®</sup>  
pioneers in responsible tanning since 1974